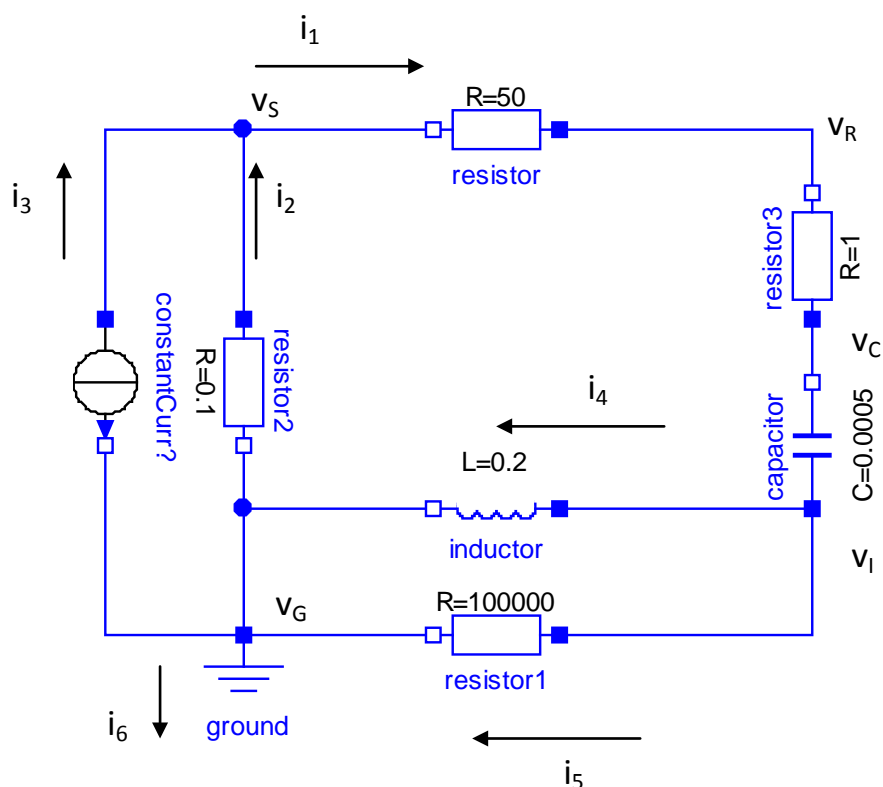


Virtual Physics

20.12.2016

Exercise 5: Tearing Algebraic Loops within an electric circuit

Solution



Task A: Set up the model equations

We select the 6 currents and 5 voltage potentials as selected above. Additionally, we introduce u_C as voltage across the capacitor. This yields 12 variables in total.

There are 3 node equations for the current:

$$i_1 = i_2 + i_3$$

$$i_4 + i_5 = i_1$$

$$i_4 + i_5 + i_6 = i_2 + i_3$$

The remaining 9 equations result from the components.

$$i_3 = I_0$$

$$v_S - v_G = i_2 * R_2$$

$$v_R - v_S = i_1 * R_0$$

$$v_C - v_R = i_1 * R_3$$

$$v_l - v_C = u_C$$

$$\text{der}(u_C) * C = i_1;$$

$$\text{der}(i_4) * I = v_l - v_G$$

$$v_G - v_l = R_1 * i_5$$

$$v_G = 0;$$

Task B: Identify suitable tearing variables

u_C and i_4 are potential state variables and can be assumed to be known.

Still only one or two equations can be causalized:

$$i_3 := I_0;$$

$$v_G := 0;$$

To continue, we select a tearing variable. i_1 seems to be a good choice. It occurs in many equations and causalizes plenty of them.

$i_1 := \text{iteration variable}$

$$i_2 := i_1 - i_3;$$

$$v_S := i_2 * R_2 + v_G$$

$$v_R := i_1 * R_0 + v_S$$

$$v_C := i_1 * R_3 + v_R$$

$$v_l := v_C + u_C;$$

$$i_5 := i_1 - i_4;$$

$$\text{residual} := vG - vI - R1 \cdot i5$$

$$\text{der}(uC) := i1/C;$$

$$\text{der}(i4) := (vI - vG)/I$$

$$i6 := i2 + i3 - i4 - i5$$

Remark: the equations $\text{der}(i4) := (vI - vG)/I$ and $\text{der}(uC) := i1/C$ are not part of the algebraic loop since they are not required for the computation of the residual.

This is the corresponding BLT form of the system:

i3	vG	i2	vS	vR	vC	vI	i5	i1	duC/dt	di4/dt	i6
X											
	X										
X		X						X			
	X		X					X			
			X	X				X			
				X	X			X			
					X	X					
							X	X			
	X					X	X				
								X	X		
	X					X				X	
X		X					X				X

Residual equations may lead to empty elements on the diagonal.